

### CARACTERISTICI CONSTRUCTIVE

- structura realizata integral din otel inox finisaje satinat scotch brite
- \* pentru lungimi mai mari de 3000 mm se la livra in module independente
- filtre inox tip labirint format din lamele dispuse asimetric
- decupaj rectangular sau circular pentru racordul la sistemul de extractie
- canal colector si robinet drenare grasimi si condens

### ACCESORII OPTIONALE

- ventilator centrifugal cu aspiratie dubla (montaj in incinta hoteli)
- ventilator centrifugal monoaspirant ( montaj in exterior)
- regulator de turatie
- spoturi incastrate pe lungime
- tubulatura circulara si piese speciale

### Seria 700

COD	DIMENSIUNI LxIxH- mm	AxB mm	PRET EURO +TVA
HST7-10	1000x700x450	230x200	
HST7-12	1250x700x450	230x200	
HST7-15	1500x700x450	230x200	
HST7-20	2000x700x450	230x200	
HST7-25	2500x700x450	290x260	
HST7-30	3000x700x450	290x260	

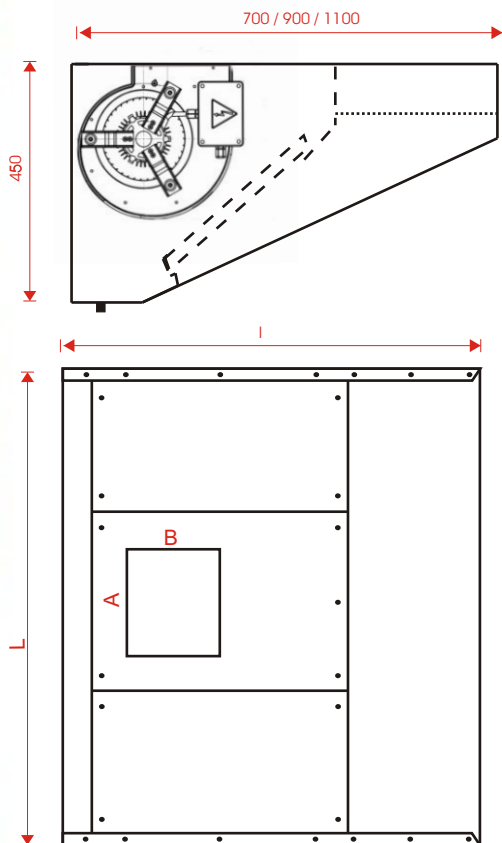
### Seria 900

HST9-10	1000x900x450	230x200	
HST9-12	1250x900x450	230x200	
HST9-15	1500x900x450	230x200	
HST9-20	2000x900x450	230x200	
HST9-25	2500x900x450	290x260	
HST9-30	3000x900x450	290x260	

### Seria 1100

HST11-10	1000x1100x450	230x200	
HST11-12	1250x1100x450	230x200	
HST11-15	1500x1100x450	230x200	
HST11-20	2000x1100x450	290x260	
HST11-25	2500x1100x450	290x260	
HST11-30	3000x1100x450	290x260	





### CARACTERISTICI CONSTRUCTIVE

- structura realizata integral din otel inox finisaje satinat scotch brite
- \* pentru lungimi mai mari de 3000 mm se la livra in module independente
- filtre inox tip labirint format din lamele dispuse asimetric
- decupaj rectangular sau circular pentru racordul la sistemul de extractie
- canal colector si robinet drenare grasimi si condens
- ventilator centrifugal cu aspiratie dubla

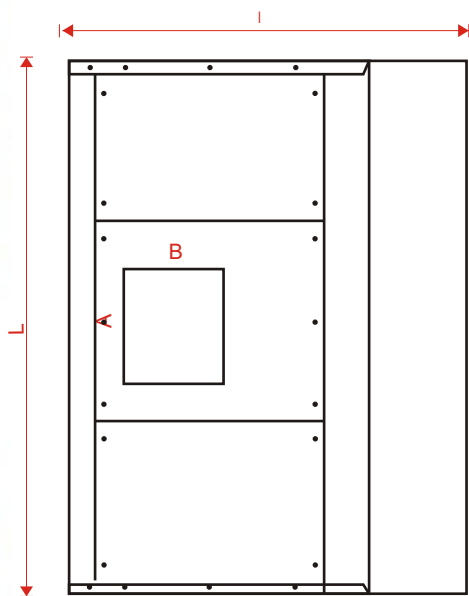
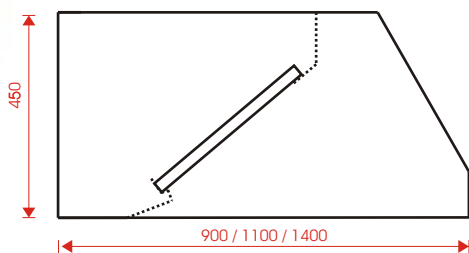
### ACCESORII OPTIONALE

- regulator de turatie
- spoturi incastrate pe lungime
- tubulatura circulara si piese speciale



COD	DIMENSIUNI LxIxH- mm	AxB mm	PUTERE W	DEBIT mc/h	HST Pa	PRET
						EURO +TVA
HST7-10	1000x700x450	230x200	147	1500	250	Seria 700
HST7-12	1250x700x450	230x200	147	1500	280	
HST7-15	1500x700x450	230x200	147	1750	280	
HST7-20	2000x700x450	230x200	190	1950	250	
HST7-25	2500x700x450	290x260	400	2850	350	
HST7-30	3000x700x450	290x260	400	2850	350	
HST9-10	1000x900x450	230x200	147	1500	250	Seria 900
HST9-12	1250x900x450	230x200	147	1750	280	
HST9-15	1500x900x450	230x200	147	1750	280	
HST9-20	2000x900x450	290x260	400	2850	350	
HST9-25	2500x900x450	290x260	400	2850	350	
HST9-30	3000x900x450	290x260	400	2850	350	
HST11-10	1000x1100x450	230x200	147	1750	280	Seria 1100
HST11-12	1250x1100x450	230x200	147	1750	280	
HST11-15	1500x1100x450	230x200	190	1950	250	
HST11-20	2000x1100x450	290x260	400	2850	350	
HST11-25	2500x1100x450	290x260	400	2850	350	
HST11-30	3000x1100x450	290x260	400	2850	350	





### CARACTERISTICI CONSTRUCTIVE

- structura realizata integral din otel inox finisaje satinat scotch brite
- \* pentru lungimi mai mari de 3000 mm se la livra in module independente
- filtre inox tip labirint format din lamele dispuse asimetric
- decupaj rectangular sau circular pentru racordul la sistemul de extractie
- canal colector si robinet drenare grasimi si condens

### ACCESORII OPTIONALE

- ventilator centrifugal cu aspiratie dubla (montaj in incinta hoteli)
- ventilator centrifugal monoaspirant ( montaj in exterior)
- regulator de turatie
- spoturi incastrate pe lungime
- tubulatura circulara si piese speciale

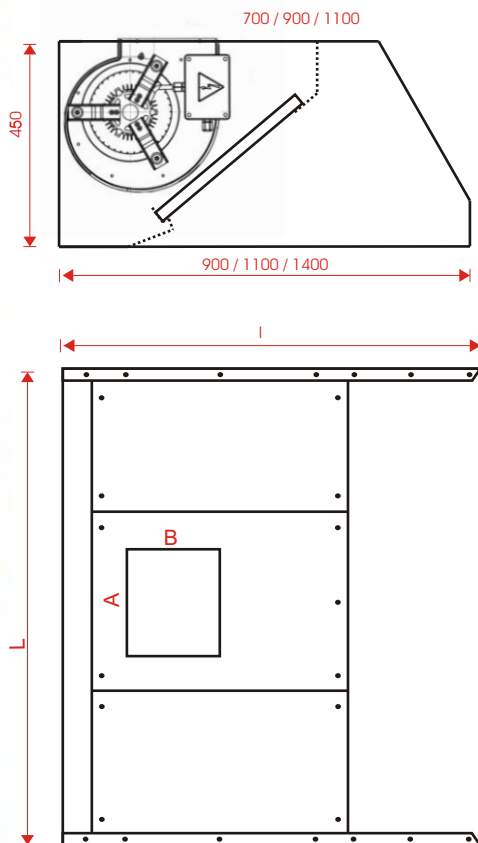
### Seria 900

### Seria 1100

### Seria 1400

COD	DIMENSIUNI LxIxH- mm	AxB mm	PRET EURO +TVA
HBT9-10	1000x900x450	230x200	
HBT9-12	1250x900x450	230x200	
HBT9-15	1500x900x450	230x200	
HBT9-20	2000x900x450	230x200	
HBT9-25	2500x900x450	290x260	
HBT9-30	3000x900x450	290x260	
HBT11-10	1000x1100x450	230x200	
HBT11-12	1250x1100x450	230x200	
HBT11-15	1500x1100x450	230x200	
HBT11-20	2000x1100x450	230x200	
HBT11-25	2500x1100x450	290x260	
HBT11-30	3000x1100x450	290x260	
HBT14-10	1000x1400x450	230x200	
HBT14-12	1250x1400x450	230x200	
HBT14-20	2000x1400x450	290x260	
HBT14-25	2500x1400x450	290x260	
HBT14-30	3000x1400x450	290x260	





### CARACTERISTICI CONSTRUCTIVE

- structura realizata integral din otel inox finisaje satinaje scotch brite
- \* pentru lungimi mai mari de 3000 mm se la livra in module independente
- filtre inox tip labirint format din lamele dispuse asimetric
- decupaj rectangular sau circular pentru racordul la sistemul de extractie
- canal colector si robinet drenare grasimi si condens
- ventilator centrifugal cu aspiratie dubla

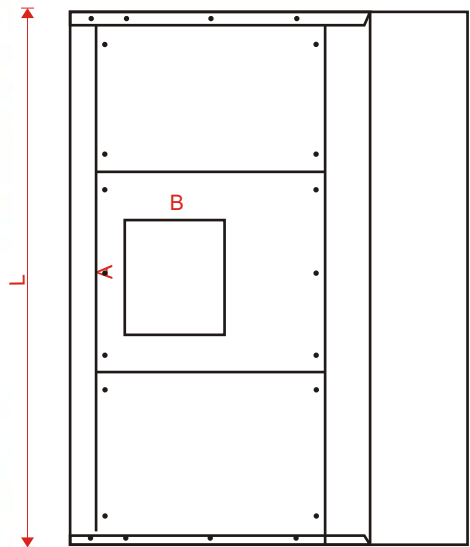
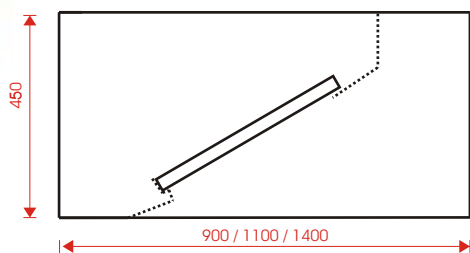
### ACCESORII OPTIONALE

- regulator de turatie
- spoturi incastrate pe lungime
- tubulatura circulara si piese speciale



COD	DIMENSIUNI LxIxH- mm	AxB mm	PUTERE W	DEBIT mc/h	HST Pa	PRET
						EURO +TVA
HBTM9-10	1000x900x450	230x200	147	1500	250	Seria 900
HBTM9-12	1250x900x450	230x200	147	1500	250	
HBTM9-15	1500x900x450	230x200	147	1750	280	
HBTM9-20	2000x900x450	230x200	190	1950	250	
HBTM9-25	2500x900x450	290x260	400	2850	350	
HBTM9-30	3000x900x450	290x260	400	2850	350	
HBTM11-10	1000x1100x450	230x200	147	1750	250	Seria 1100
HBTM11-12	1250x1100x450	230x200	147	1750	280	
HBTM11-15	1500x1100x450	230x200	190	1950	280	
HBTM11-20	2000x1100x450	290x260	400	2850	350	
HBTM11-25	2500x1100x450	290x260	400	2850	350	
HBTM11-30	3000x1100x450	290x260	400	2850	350	
HBTM14-10	1000x1400x450	230x200	147	1750	280	Seria 1400
HBTM14-12	1250x1400x450	230x200	147	1750	280	
HBTM14-15	1500x1400x450	230x200	190	1950	250	
HBTM14-20	2000x1400x450	290x260	400	2850	350	
HBTM14-25	2500x1400x450	290x260	400	2850	350	
HBTM14-30	3000x1400x450	290x260	400	2850	350	





### ■ CARACTERISTICI CONSTRUCTIVE

- structura realizata integral din otel inox finisaje satinat scotch brite
- \* pentru lungimi mai mari de 3000 mm se la livra in module independente
- filtre inox tip labirint format din lamele dispuse asimetric
- decupaj rectangular sau circular pentru racordul la sistemul de extractie
- canal colector si robinet drenare grasimi si condens

### ■ ACCESORII OPTIONALE

- ventilator centrifugal cu aspiratie dubla (montaj in incinta hoteli)
- ventilator centrifugal monoaspirant ( montaj in exterior)
- regulator de turatie
- spoturi incastrate pe lungime
- tubulatura circulara si piese speciale

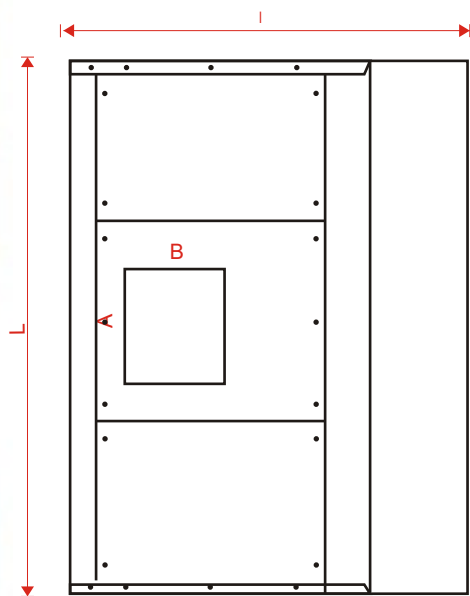
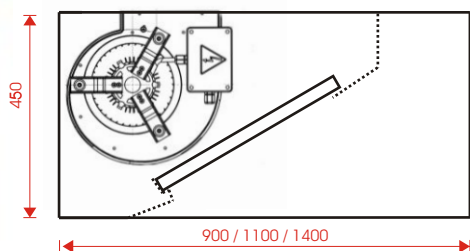
### Seria 900

### Seria 1100

### Seria 1400

COD	DIMENSIUNI LxIxH- mm	AxB mm	PRET EURO +TVA
HCB9-10	1000x900x450	230x200	
HCB9-12	1250x900x450	230x200	
HCB9-15	1500x900x450	230x200	
HCB9-20	2000x900x450	230x200	
HCB9-25	2500x900x450	290x260	
HCB9-30	3000x900x450	290x260	
HCB11-10	1000x1100x450	230x200	
HCB11-12	1250x1100x450	230x200	
HCB11-15	1500x1100x450	230x200	
HCB11-20	2000x1100x450	230x200	
HCB11-25	2500x1100x450	290x260	
HCB11-30	3000x1100x450	290x260	
HCB14-10	1000x1400x450	230x200	
HCB14-12	1250x1400x450	230x200	
HCB14-15	1500x1400x450	230x200	
HCB14-20	2000x1400x450	290x260	
HCB14-25	2500x1400x450	290x260	
HCB14-30	3000x1400x450	290x260	





### ■ CARACTERISTICI CONSTRUCTIVE

- structura realizata integral din otel inox finisaje satinat scotch brite
- \* pentru lungimi mai mari de 3000 mm se la livra in module independente
- filtre inox tip labirint format din lamele dispuse asimetric
- decupaj rectangular sau circular pentru racordul la sistemul de extractie
- canal colector si robinet drenare grasimi si condens

### ■ ACCESORII OPTIONALE

- ventilator centrifugal monoaspirant ( montaj in exterior)
- regulator de turatie
- spoturi incastrate pe lungime
- tubulatura circulara si piese speciale

COD	DIMENSIUNI LxIxH- mm	AxB mm	PUTERE W	DEBIT mc/h	HST Pa	PRET
						EURO +TVA
HCBM9-10	1000x900x450	230x200	147	1500	250	Seria 900
HCBM9-12	1250x900x450	230x200	147	1750	250	
HCBM9-15	1500x900x450	230x200	147	1750	280	
HCBM9-20	2000x900x450	230x200	190	1950	250	
HCBM9-25	2500x900x450	290x260	400	2850	350	
HCBM9-30	3000x900x450	290x260	400	2850	350	
HCBM11-10	1000x1100x450	230x200	147	1750	250	Seria 1100
HCBM11-12	1250x1100x450	230x200	147	1750	280	
HCBM11-15	1500x1100x450	230x200	190	1950	280	
HCBM11-20	2000x1100x450	290x260	400	2850	350	
HCBM11-25	2500x1100x450	290x260	400	2850	350	
HCBM11-30	3000x1100x450	290x260	400	2850	350	
HCBM14-10	1000x1400x450	230x200	147	1750	280	Seria 1400
HCBM14-12	1250x1400x450	230x200	147	1750	280	
HCBM14-15	1500x1400x450	230x200	190	1950	250	
HCBM14-20	2000x1400x450	290x260	400	2850	350	
HCBM14-25	2500x1400x450	290x260	400	2850	350	
HCBM14-30	3000x1400x450	290x260	400	2850	350	

